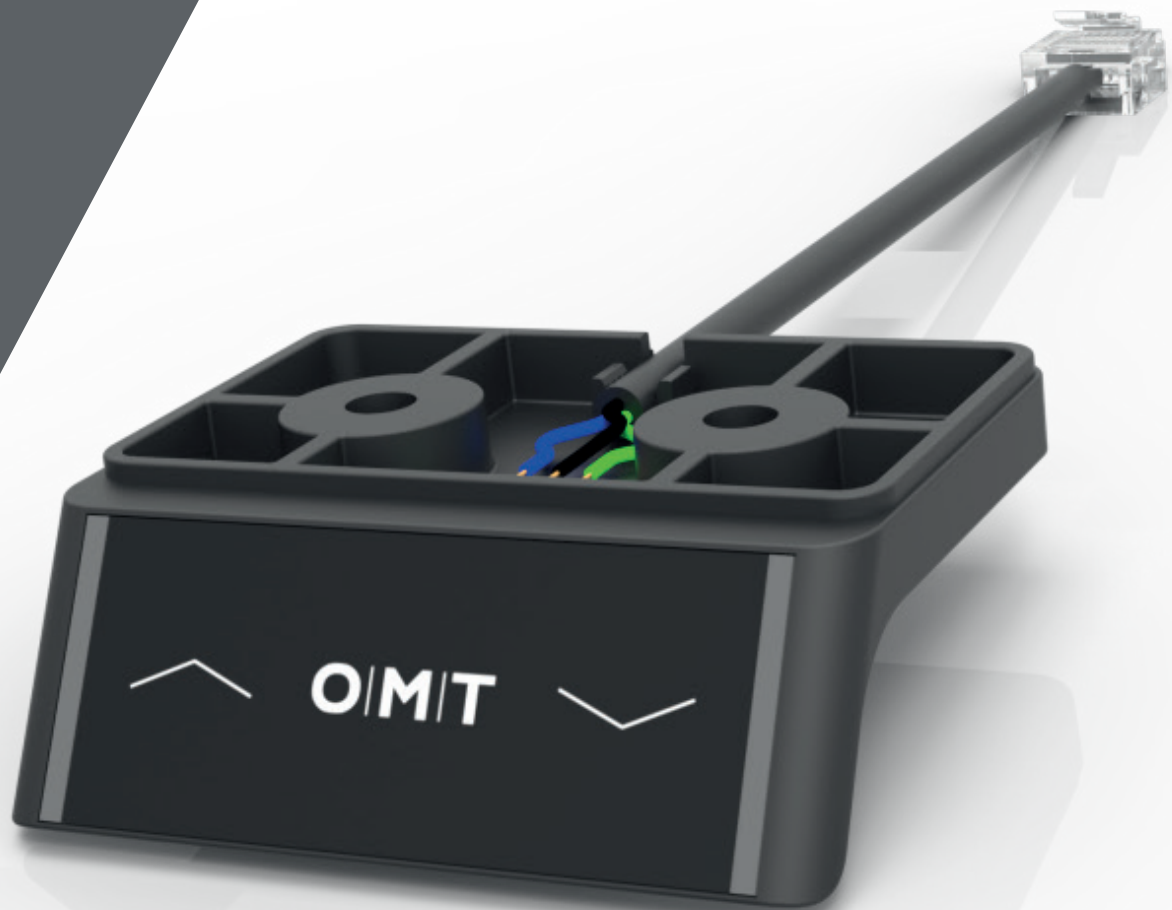


STAND.MOVE M1.0

Handswitch for all
OMT controls



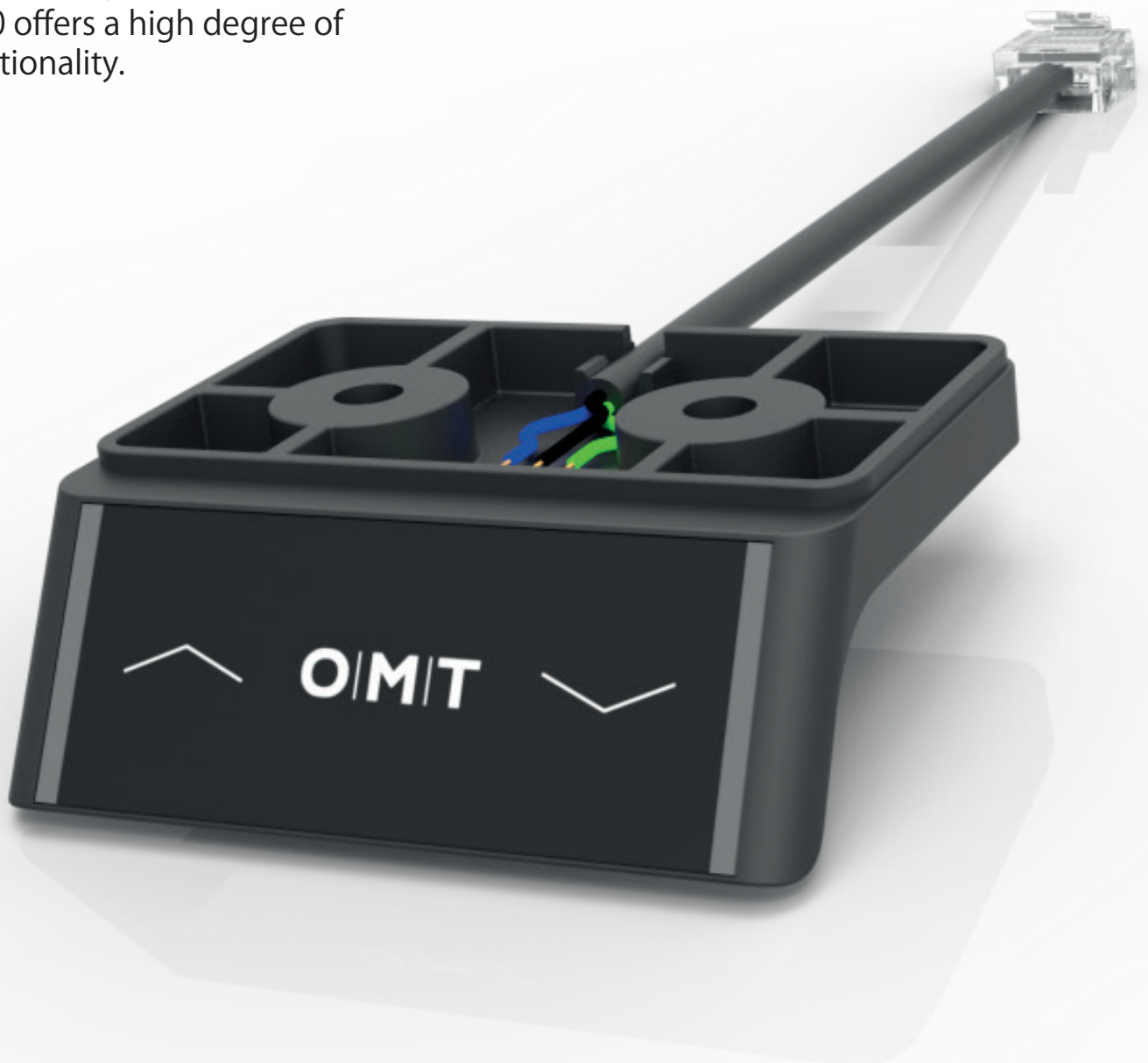
Description

The STAND.MOVE M1.0 gives you the free-dome to operate any controller from our portfolio.

The hand control is the smallest representative of our control elements and adapts to every table in an individualised way.

Despite its unobtrusive appearance, STAND.MOVE M1.0 offers a high degree of functionality.

- Easy to operate
- Plug & Play capable
- Attractive design
- Customizable
- Compatible with STAND.CONTROL C1 and STAND.CONTROL C2

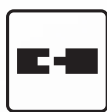


Technical data



Dimensions

Length 60 mm
Wide 51 mm
Height 21 mm



Mounting

screw holes,
external holder



Customizing

Logo on Control
element



Cable length

1,5 m



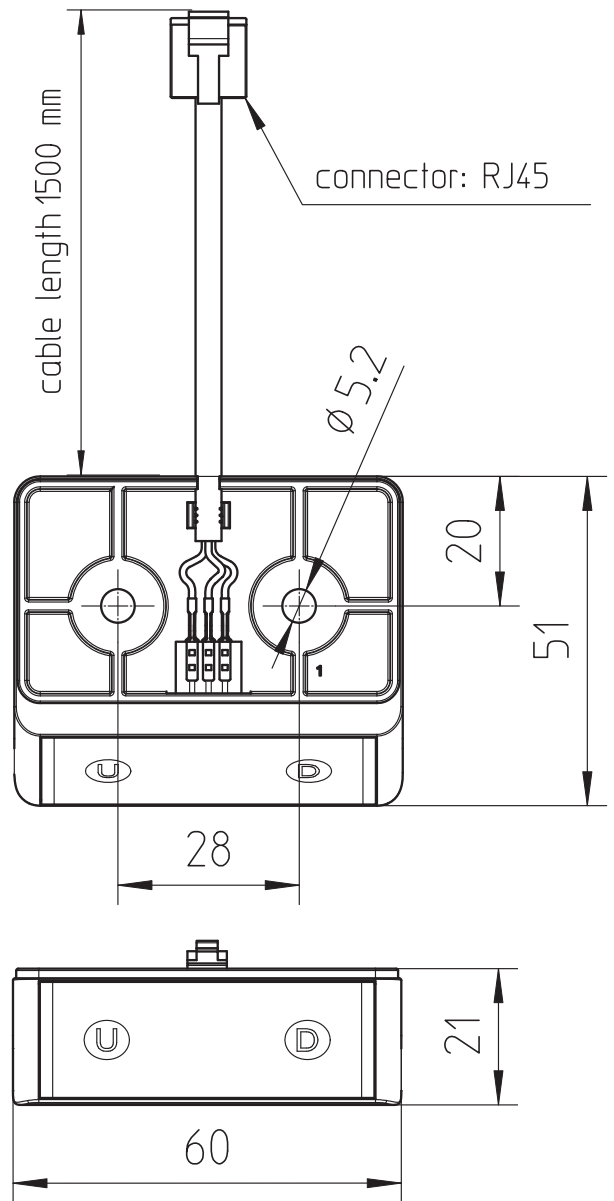
Connections

RJ45 plug



Technical data

Weight	0.04 kg (with standard cable length)
Environment conditions during transport and storage	-25 °C to +70 °C at 5 % to 90 % relative atmospheric humidity (non-condensing), with +38 °C max. dew point; Temperatures from +55 °C to +70 °C only for maximum 24h
Environment conditions in the factory	+5 °C to +40 °C at 10 % to 85 % relative atmospheric humidity (non-condensing), with +27 °C max. dew point;
IP class (protection class as per EN60529)	Unassembled: IP 00 Correctly assembled: IP 20



O|MIT

Oelschläger **Metalltechnik** GmbH
Hertzstraße 1-3
27318 Hoya
Germany

Phone: +49 (0) 42 51-816-0
Mail: info@oelschlaeger.de

CEO:
Daniela Hoge
Harald Grams

Commercial Register:
Walsrode HRB 31030
Court of jurisdiction: Hoya
VAT ID No.: DE 183195508

