

STAND.MOVE M1.1

Handswitch with
Memory function



Description

The STAND.MOVE M1.1 gives you the free-dome to operate any controller from our portfolio.

The hand switch displays a high degree of functionality and combines this with the simple yet high-quality OMT design.

- Easy to operate
- Comprehensive functions
- Plug & Play capable
- Attractive design
- Customizable
- Compatibility with STAND.CONTROL C1

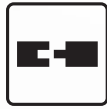


Technical data



Dimensions

Length 60 mm
Wide 51 mm
Height 21 mm



Mounting

screw holes,
external holder



Customizing

Logo on Control
element



Display

7-segment
LED



Cable length

1,5 m



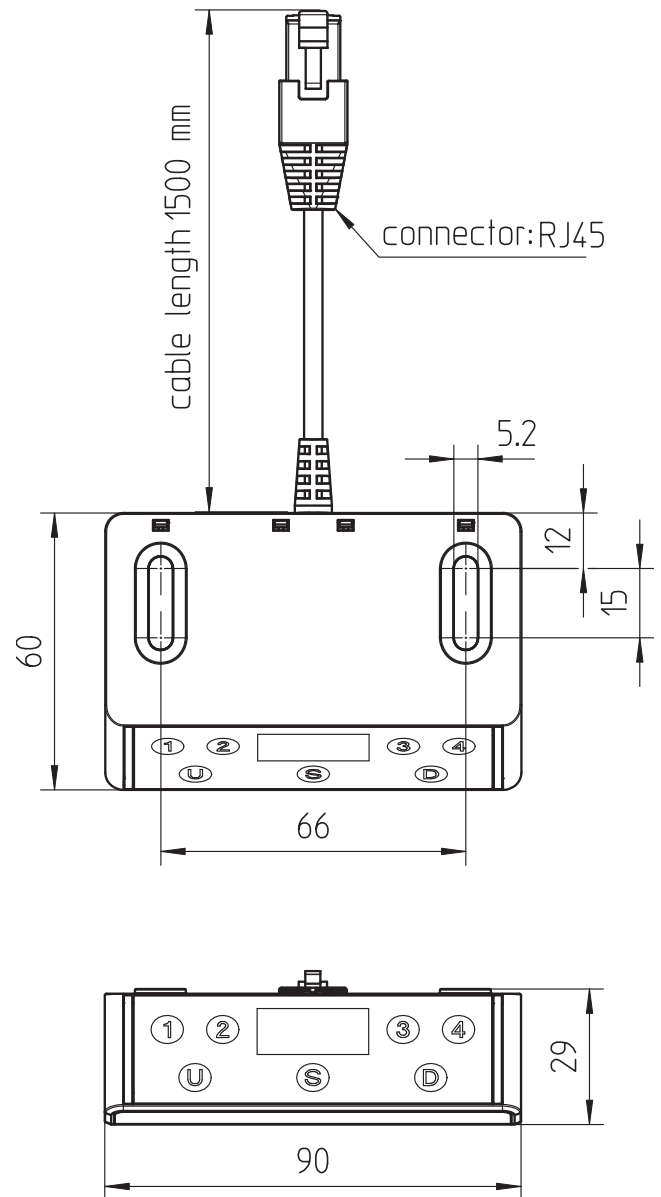
Connections

RJ45 plug



Technical data

Weight	0.07 kg (with standard cable length)
Environment conditions during transport and storage	-25 °C to +70 °C at 5 % to 90 % relative atmospheric humidity (non-condensing), with +38 °C max. dew point; Temperatures from +55 °C to +70 °C only for maximum 24h
Environment conditions in the factory	+5 °C to +40 °C at 10 % to 85 % relative atmospheric humidity (non-condensing), with +27 °C max. dew point;
IP class (protection class as per EN60529)	Unassembled: IP 00 Correctly assembled: IP 20
Rated input voltage	31 V
Rated input current consumption	2,9 mA



O|M|T

Oelschläger **Metalltechnik** GmbH
Hertzstraße 1-3
27318 Hoya
Germany

Phone: +49 (0) 42 51-816-0
Mail: info@oelschlaeger.de

CEO:
Daniela Hoge
Harald Grams

Commercial Register:
Walsrode HRB 31030
Court of jurisdiction: Hoya
VAT ID No.: DE 183195508

