

OELSCHLÄGER METALLTECHNIK

FREE.STAND 9052 BENCH



Product:
FREE.STAND 9052 Bench

Oelschläger **Metaltechnik** GmbH
Hertzstraße 1-3 | D - 27318 Hoya

Phone: +49 (0) 4251-816-0
E-Mail: info@oelschlaeger.de

OMIT
www.oelschlaeger.de

FREE.STAND 9052 BENCH

Description

BENCH - this is the double workstation from OMT.

With this variant, the user has the option of adjusting the work surfaces independently of each other.

With innovative technology and contemporary design, the FREE.STAND 9052 already meets the demands of tomorrow.

In addition to the proven OMT quality, this table frame convinces with clear advantages in handling. The STAND.CONTROL can be integrated into the STAND.BASE crossbar. This speeds up the assembly of the table frame and minimizes the packing size for transport and storage.

Would you like to learn more about OMT product development?
Call or send us an e-mail.



Product:
FREE.STAND 9052 Bench

Oelschläger **Metalltechnik** GmbH
Hertzstraße 1-3 | D - 27318 Hoya

Phone: +49 (0) 4251-816-0
E-Mail: info@oelschlaeger.de

OMIT



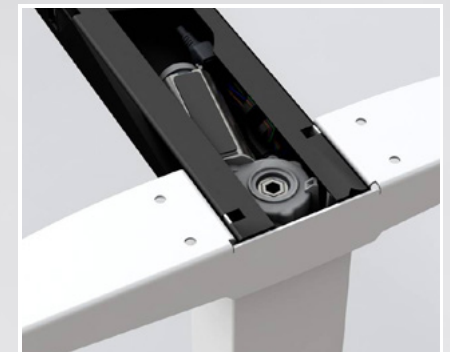
Pre-installed electrical components in the **STAND.BASE**

Product:
FREE.STAND 9052 Bench

Oelschläger **Metaltechnik** GmbH
Hertzstraße 1-3 | D - 27318 Hoya

Phone: +49 (0) 4251-816-0
E-Mail: info@oelschlaeger.de

O|MIT



Integrated motors
in the **STAND.BASE**

Product:
FREE.STAND 9052 Bench

Oelschläger **Metaltechnik** GmbH
Hertzstraße 1-3 | D - 27318 Hoya

Phone: +49 (0) 4251-816-0
E-Mail: info@oelschlaeger.de

O|MIT



Product:
FREE.STAND 9052 Bench

Oelschläger **Metaltechnik** GmbH
Hertzstraße 1-3 | D - 27318 Hoya

Phone: +49 (0) 4251-816-0
E-Mail: info@oelschlaeger.de

O|MIT

FREE.STAND 9052 BENCH

Technical data



Table frame dimensions:

Depth: 800 - 900 mm
Wide: 1000 - 2000 mm



Table frame load:

100 kg/Table



Stroke:

600 mm



Power consumption/Desk:

On operation: 118 W
On standby: < 0,3 W



Speed:

50 mm/s



Noise level:

≤ 42 dB



Frame color:

RAL 7016 - Anthracite gray
RAL 9002 - Gray white
RAL 9003 - Signal white
RAL 9004 - Signal black
RAL 9006 - White aluminum



Safety shutdown:

SCC inside (Safety Collision Control)
OMT STAND.GUARD G1 Sensor
retrofittable



Column dimensions rectangular (RE):

90 / 85 / 80 mm BUP
95 / 90 / 85 mm COVER BUP



Installation lengths:

650 - 1250 mm



Oelschläger **Metalltechnik** GmbH
Hertzstraße 1-3
27318 Hoya
Germany

Phone: +49 (0) 42 51-816-0
Mail: info@oelschlaeger.de
Web: www.oelschlaeger.de

CEO:
Daniela Hoge
Harald Grams

Commercial Register:
Walsrode HRB 31030
Court of jurisdiction: Hoya
VAT ID No.: DE 183195508