

OELSCHLÄGER METALLTECHNIK

STAND.LEG L1 ROUND



Product:
STAND.LEG L1

Oelschläger Metalltechnik GmbH
Hertzstraße 1-3 | D - 27318 Hoya

Phone: +49 (0) 4251-816-0
E-Mail: info@oelschlaeger.de

O|MIT

STAND.LEG L1.1

METAL TECHNOLOGY
MADE IN GERMANY



Dimensions round (RO):

Ø 70 / 65 mm USD
Ø 75 / 70 mm USD



Stroke:

500 mm



Speed:

38 mm/s unloaded



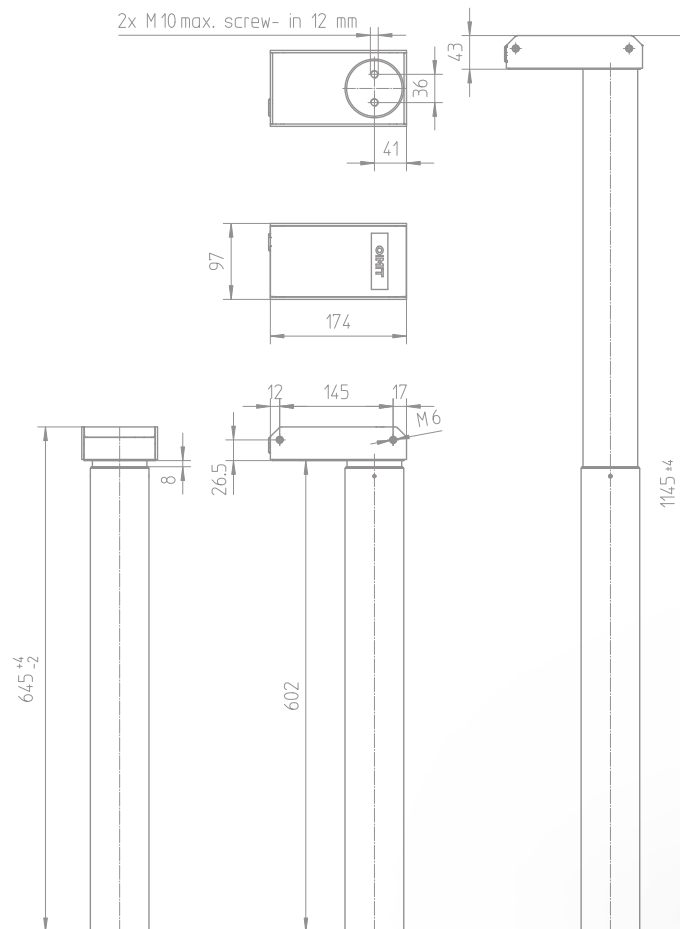
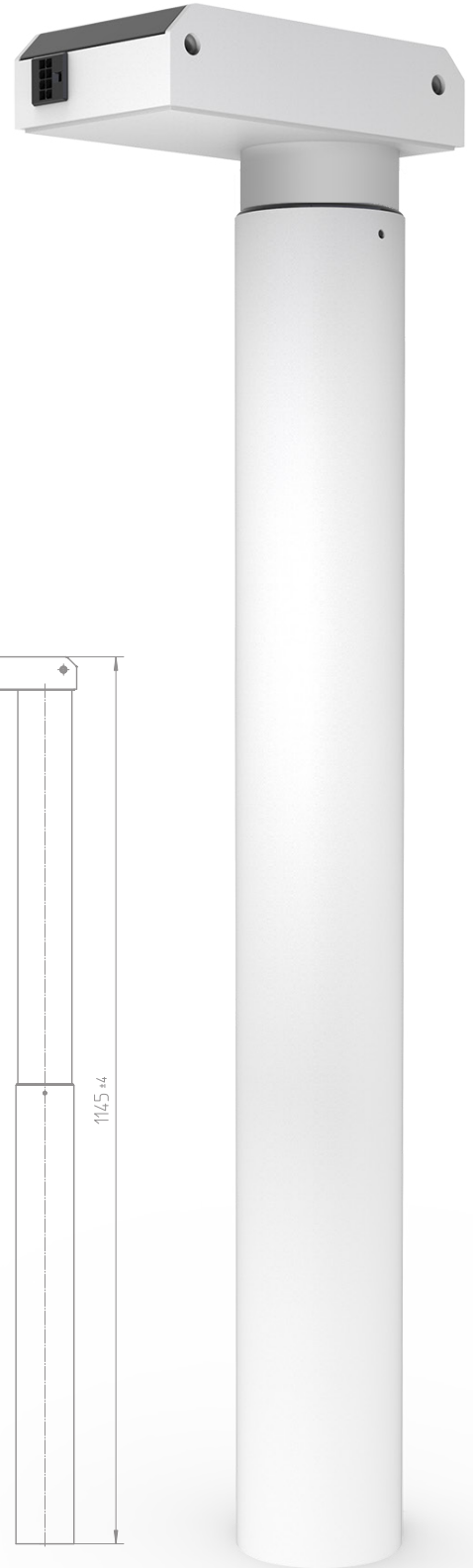
Load Push:

600 N



Installation length:

645 mm



STAND.LEG L1.2

METAL TECHNOLOGY
MADE IN GERMANY



Dimensions round (RO):

Ø 70 / 65 / 60 mm USD
Ø 75 / 70 / 65 mm USD



Stroke:

600 mm



Speed:

38 mm/s unloaded



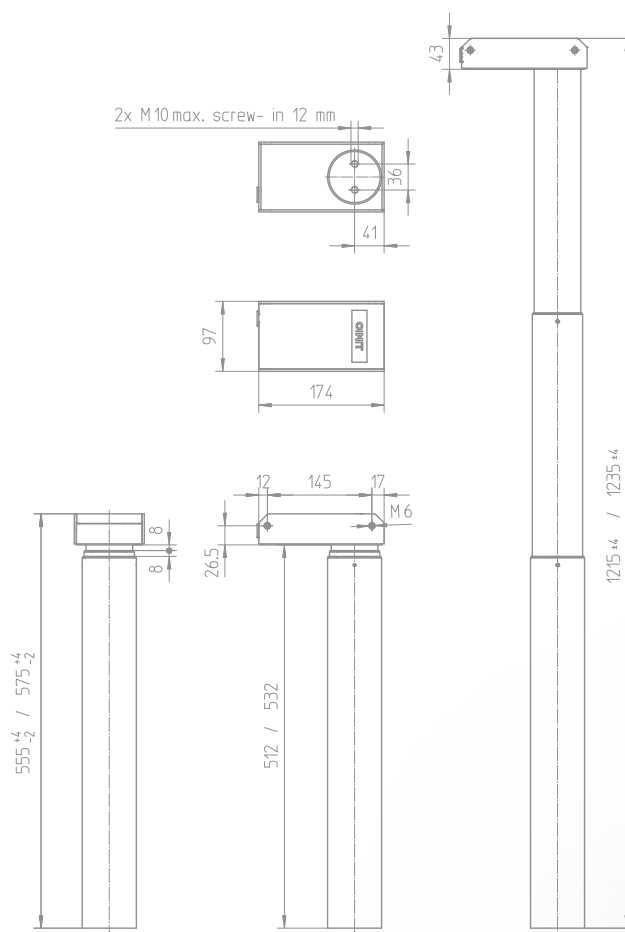
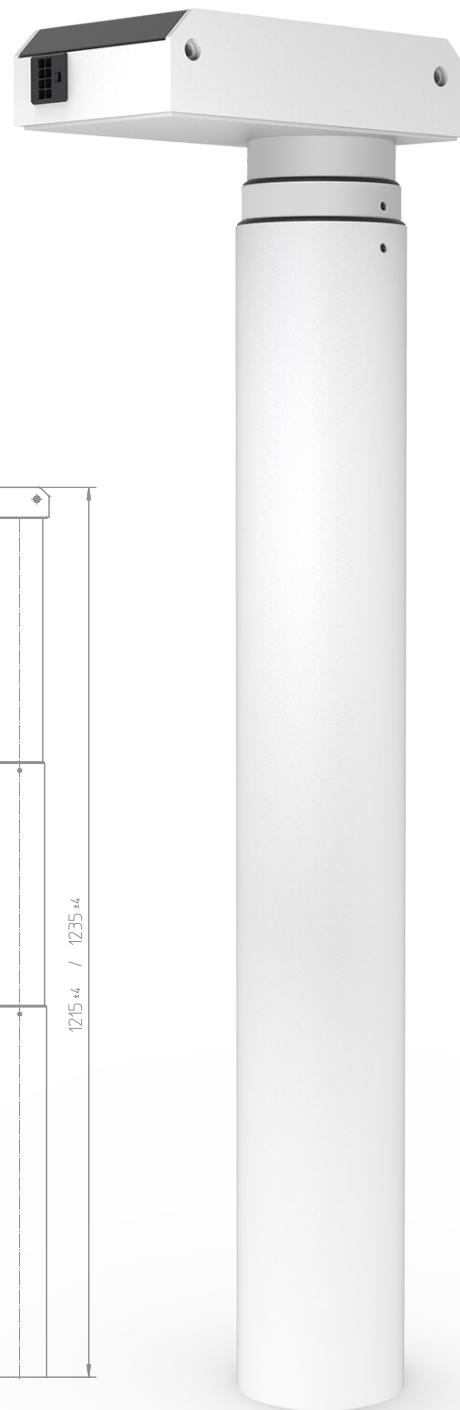
Load Push:

600 N



Installation length:

555 mm
575 mm



STAND.LEG L1.3

METAL TECHNOLOGY
MADE IN GERMANY



Dimensions round (RO):

Ø 65 / 70 mm BUP
Ø 70 / 75 mm BUP



Stroke:

500 mm



Speed:

38 mm/s unloaded



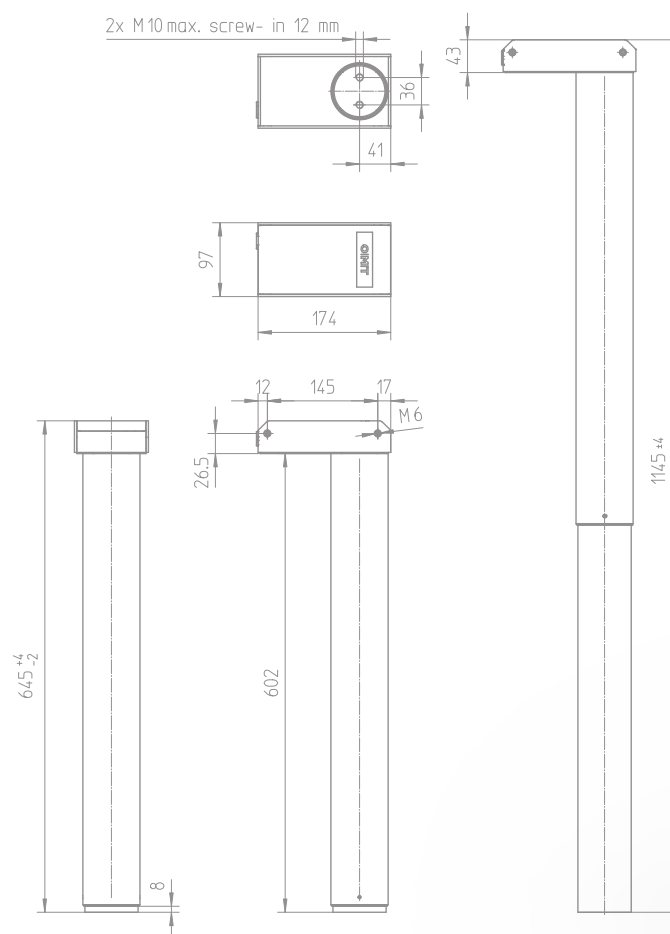
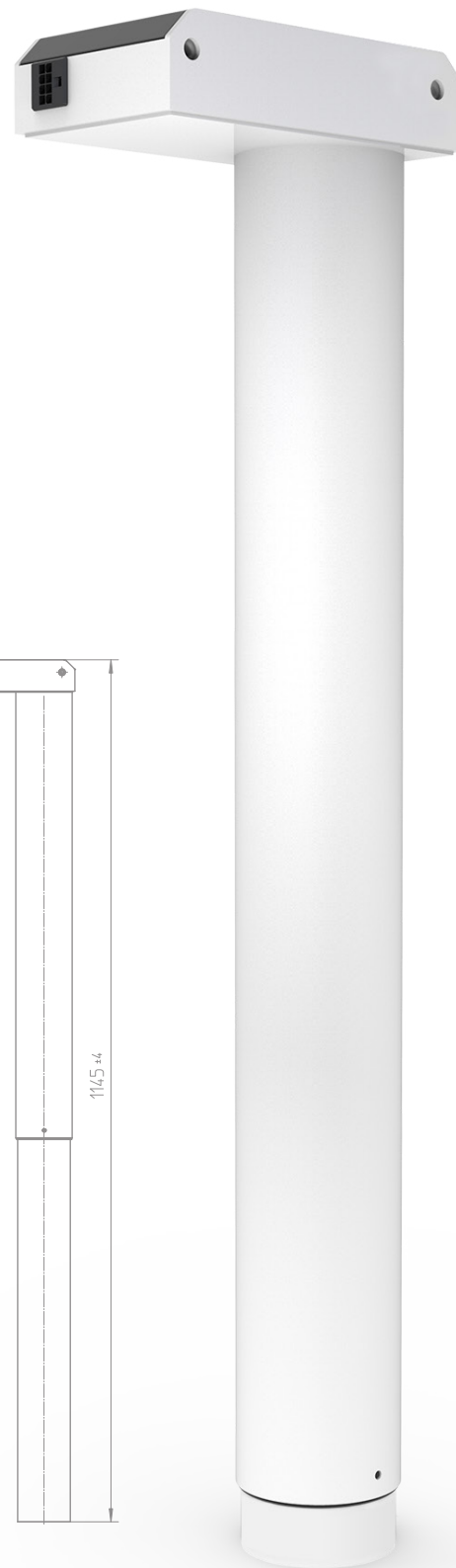
Load Push:

600 N



Installation length:

645 mm



STAND.LEG

L1.4

METAL TECHNOLOGY
MADE IN GERMANY



Dimensions round (RO):

Ø 60 / 65 / 70 mm BUP
Ø 65 / 70 / 75 mm BUP



Stroke:

660 mm



Speed:

38 mm/s unloaded



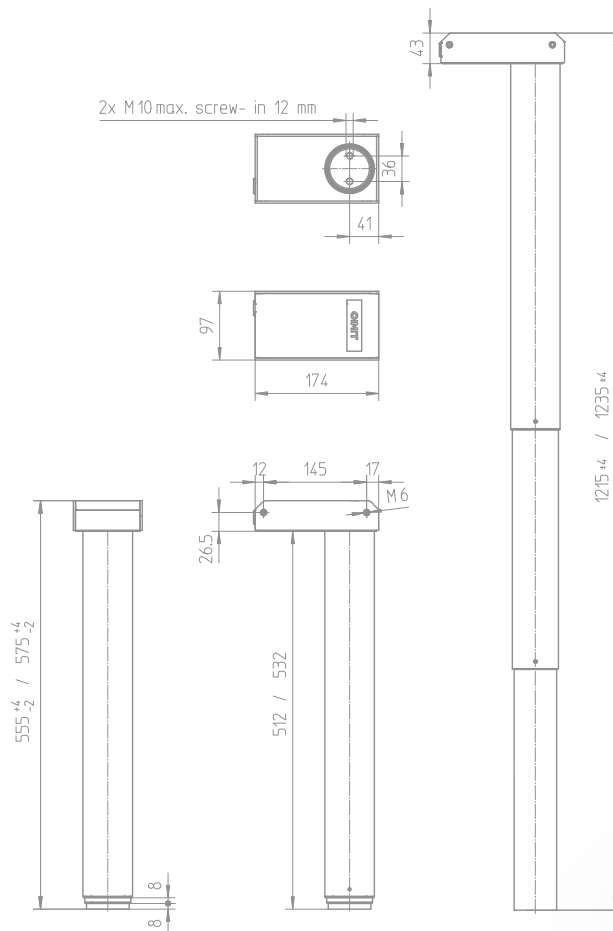
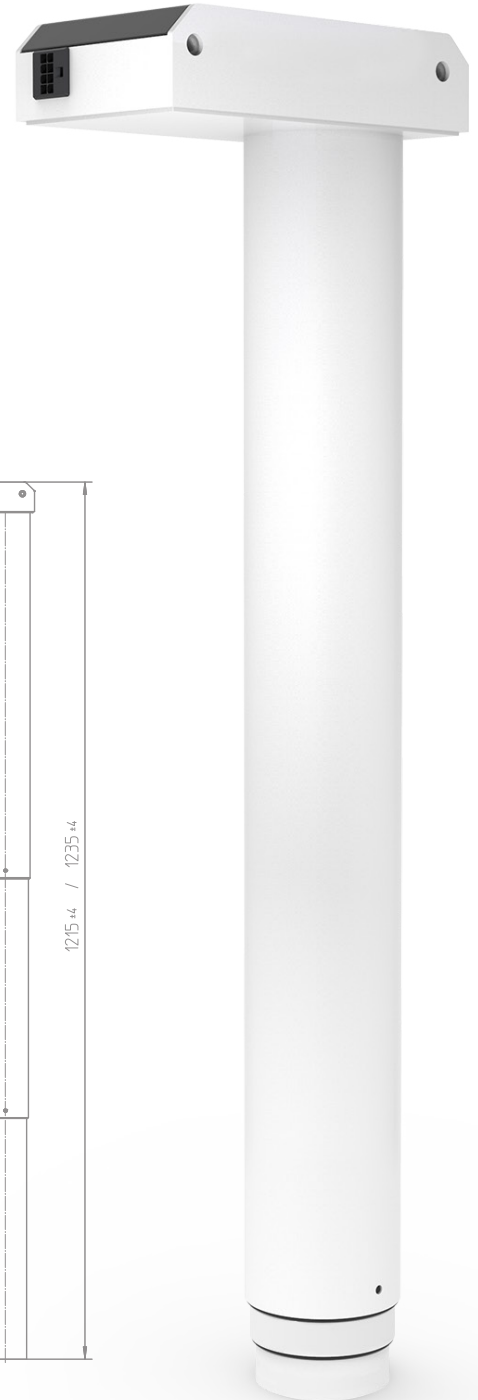
Load Push:

600 N



Installation length:

555 mm
575 mm



O|MIT

Oelschläger Metalltechnik GmbH

Hertzstraße 1-3

27318 Hoya

Germany

Phone: +49 (0) 42 51-816-0

E-Mail: info@oelschlaeger.de

CEO:

Daniela Hoge | Harald Grams

Commercial register:

Amtsgericht Walsrode HRB 31030

UST-IDNr.: DE 183195508