

OELSCHLÄGER METALLTECHNIK

STAND.LEG L3 RECTANGULAR



Product:
STAND.LEG L3

Oelschläger Metalltechnik GmbH
Hertzstraße 1-3 | D - 27318 Hoya

Phone: +49 (0) 4251-816-0
E-Mail: info@oelschlaeger.de

O|MIT

STAND.LEG L3.1

METAL TECHNOLOGY
MADE IN GERMANY



Dimensions rectangular (RE):

90 / 85 mm USD
95 / 90 mm USD



Stroke:

500 mm



Speed:

38 mm/s unloaded



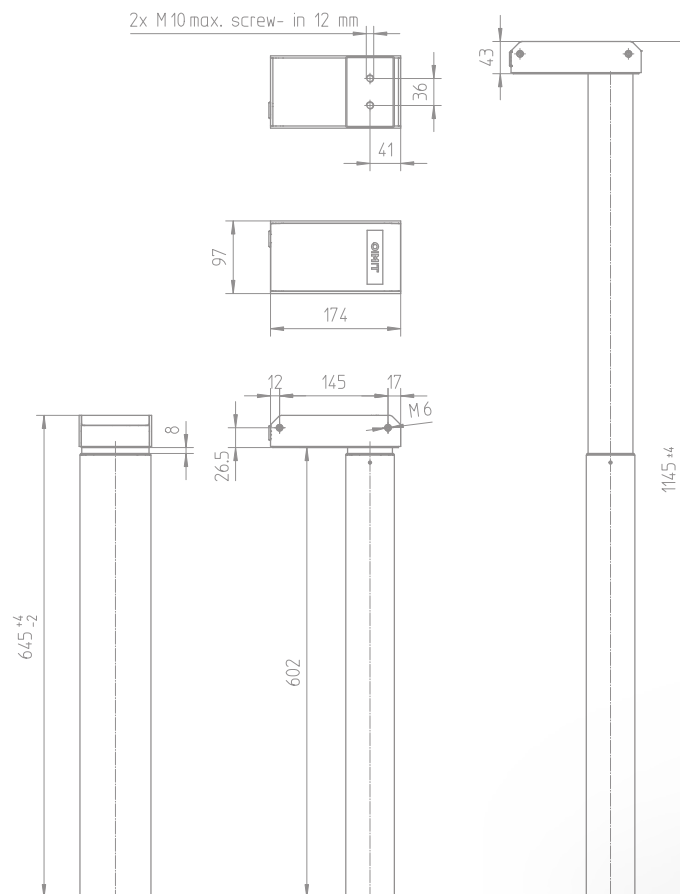
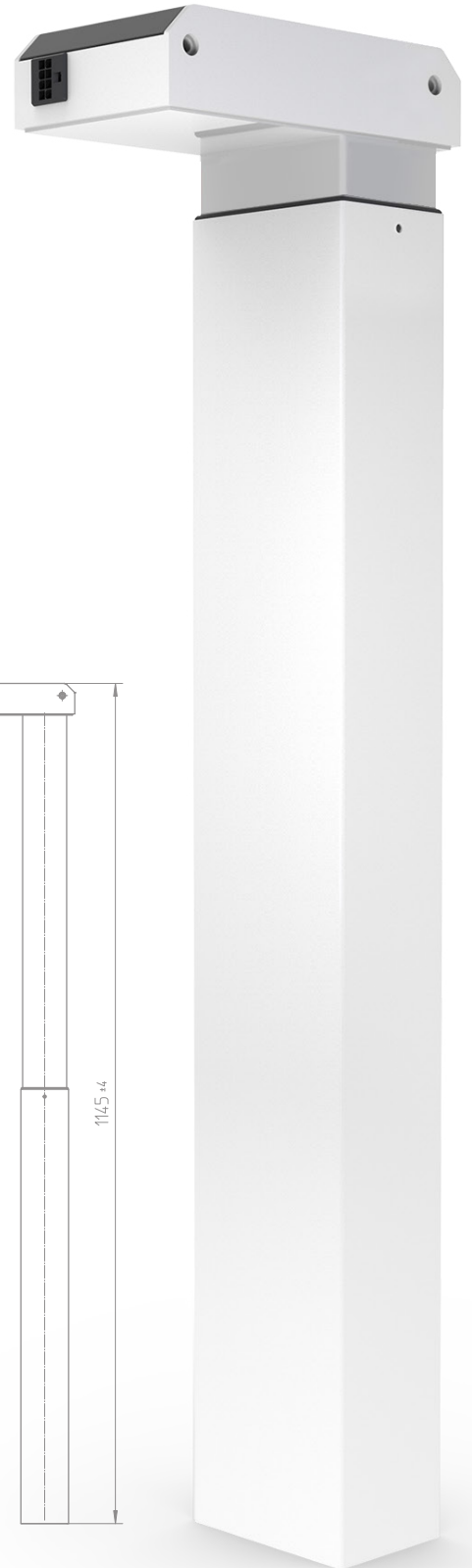
Load Push:

600 N



Installation length:

645 mm



STAND.LEG L3.2

METAL TECHNOLOGY
MADE IN GERMANY



Dimensions rectangular (RE):

90 / 85 / 80 mm USD
95 / 90 / 85 mm USD



Stroke:

660 mm



Speed:

38 mm/s unloaded



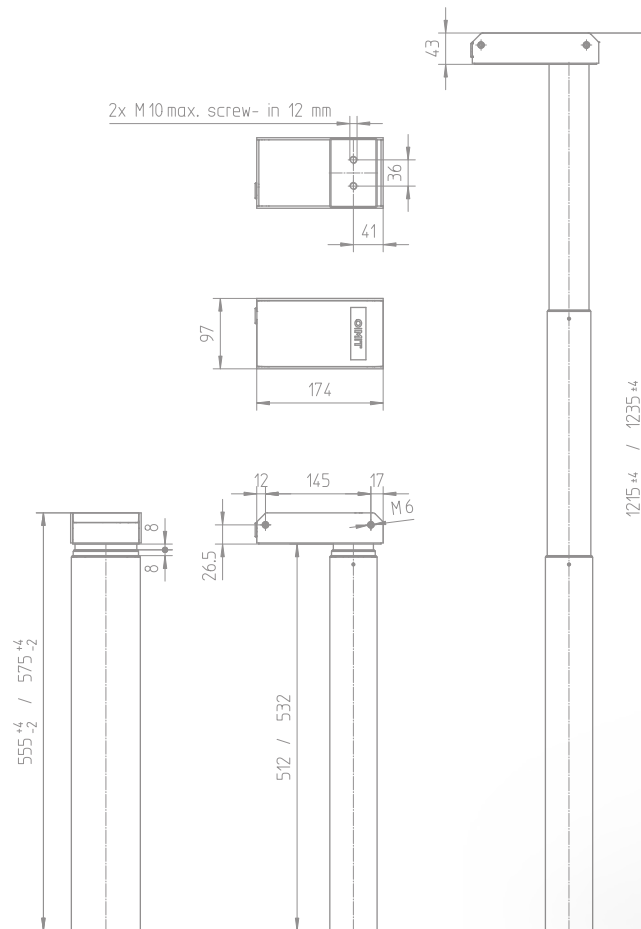
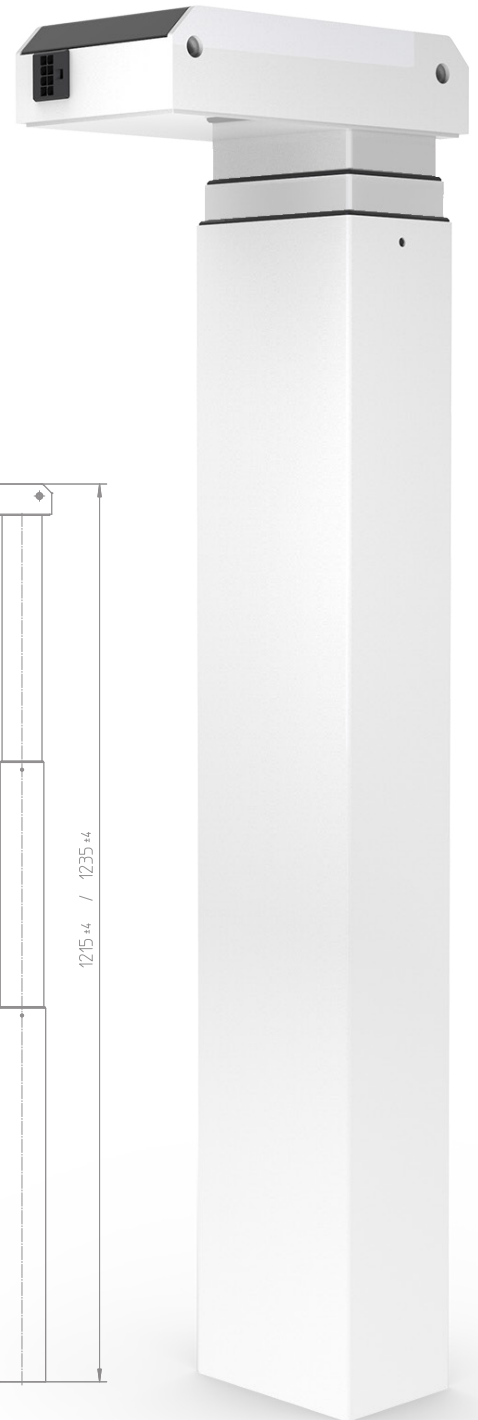
Load Push:

600 N



Installation length:

555 mm
575 mm



STAND.LEG L3.3

METAL TECHNOLOGY
MADE IN GERMANY



Dimensions rectangular (RE):
85 / 90 mm BUP



Stroke:
500 mm



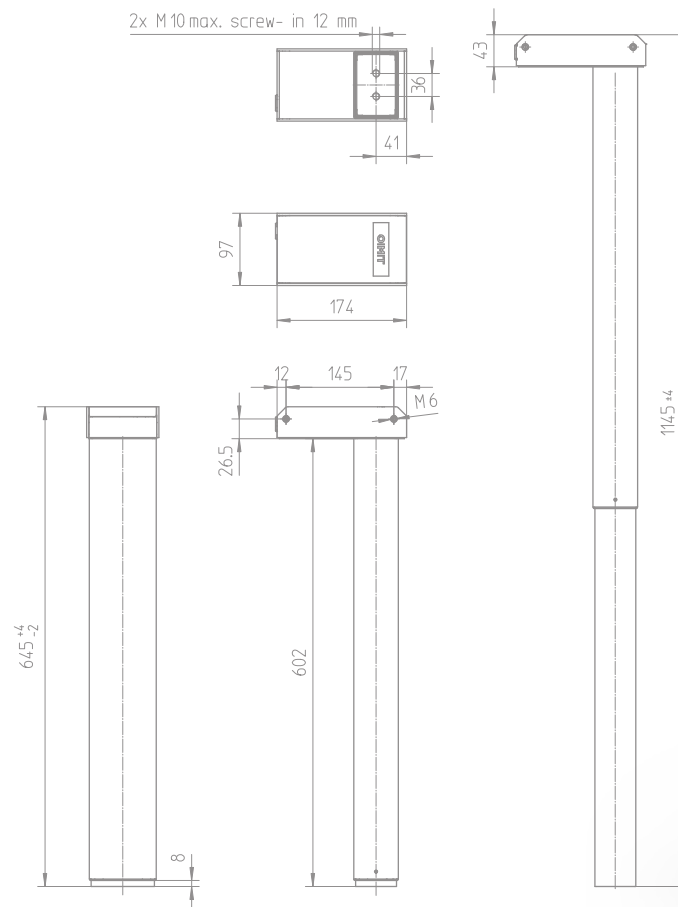
Speed:
38 mm/s unloaded



Load Push:
600 N



Installation length:
645 mm



STAND.LEG L3.4

METAL TECHNOLOGY
MADE IN GERMANY



Dimensions rectangular (RE):
80 / 85 / 90mm BUP



Stroke:
660 mm



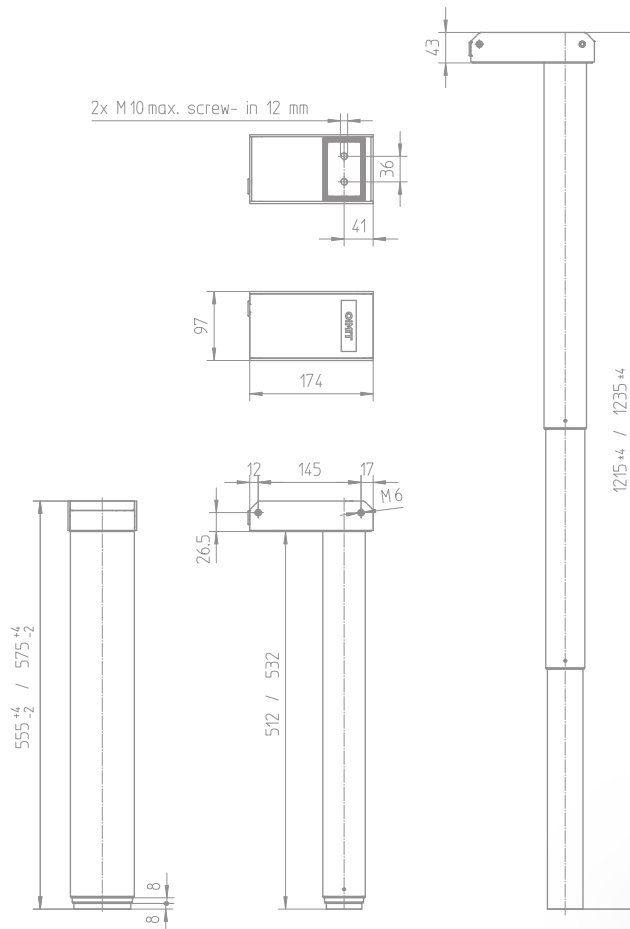
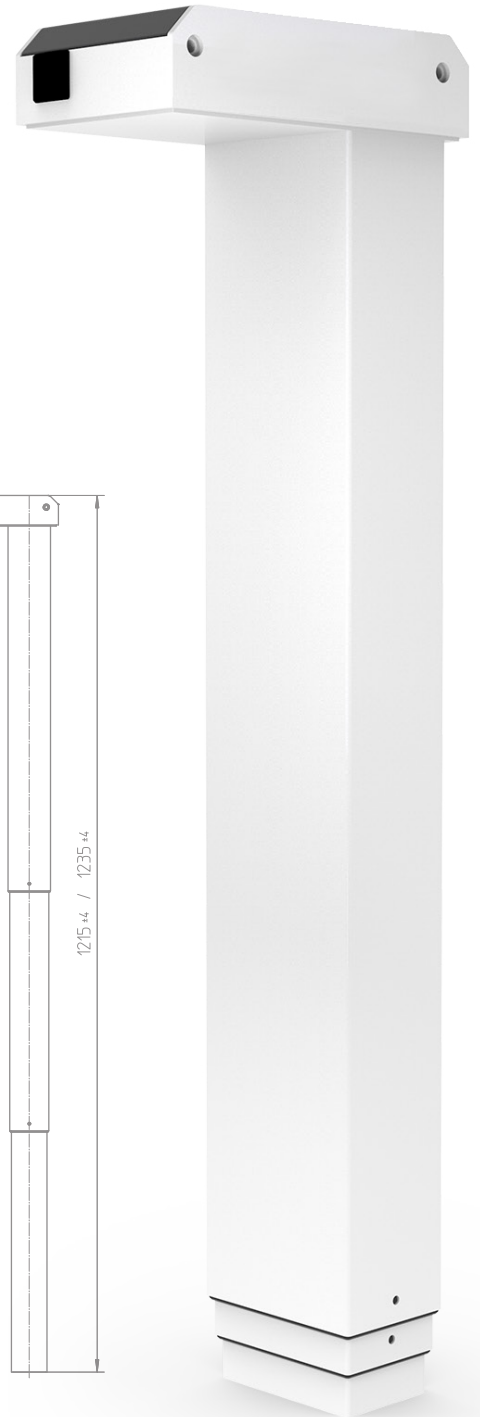
Speed:
38 mm/s unloaded



Load Push:
600 N



Installation length:
555 mm
575 mm



O|MIT

Oelschläger Metalltechnik GmbH

Hertzstraße 1-3

27318 Hoya

Germany

Phone: +49 (0) 42 51-816-0

E-Mail: info@oelschlaeger.de

CEO:

Daniela Hoge | Harald Grams

Commercial register:

Amtsgericht Walsrode HRB 31030

UST-IDNr.: DE 183195508