

OELSCHLÄGER METALLTECHNIK

STAND.LEG

Series 50mm/s

Faster lifting technology
with up to **50 mm/s**.

ROUND

SQUARE

RECTANGULAR



Speed:
50 mm/s unloaded



STAND.LEG L1.2 - 50 mm/s

ROUND

METAL TECHNOLOGY
MADE IN GERMANY

Speed:
50 mm/s unloaded



Dimensions round:
RO 70 / 65 / 60 mm



Stroke:
660 mm



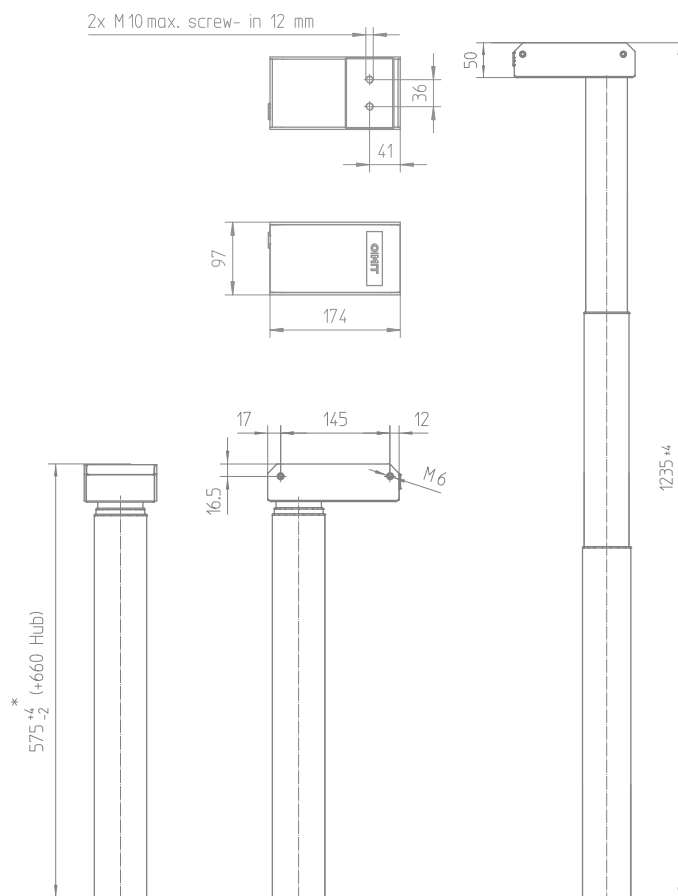
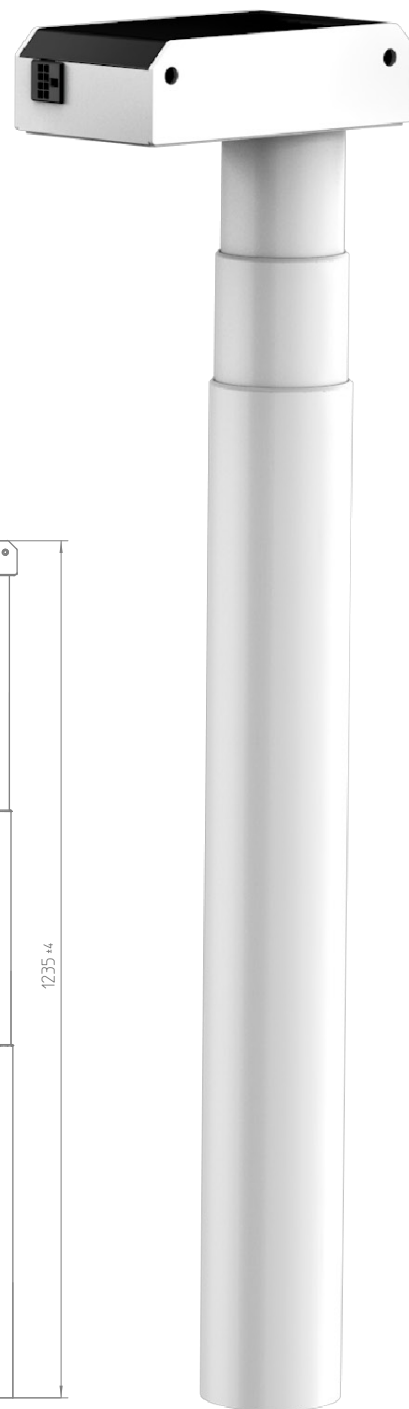
Speed:
50 mm/s unloaded



Load Push:
700 N



Installation length:
555 mm
575 mm



STAND.LEG L2.1 - 50 mm/s

SQUARE

METAL TECHNOLOGY
MADE IN GERMANY

Speed:
50 mm/s unloaded



Dimensions square:
SQ 70 / 65 / 60 mm



Stroke:
660 mm



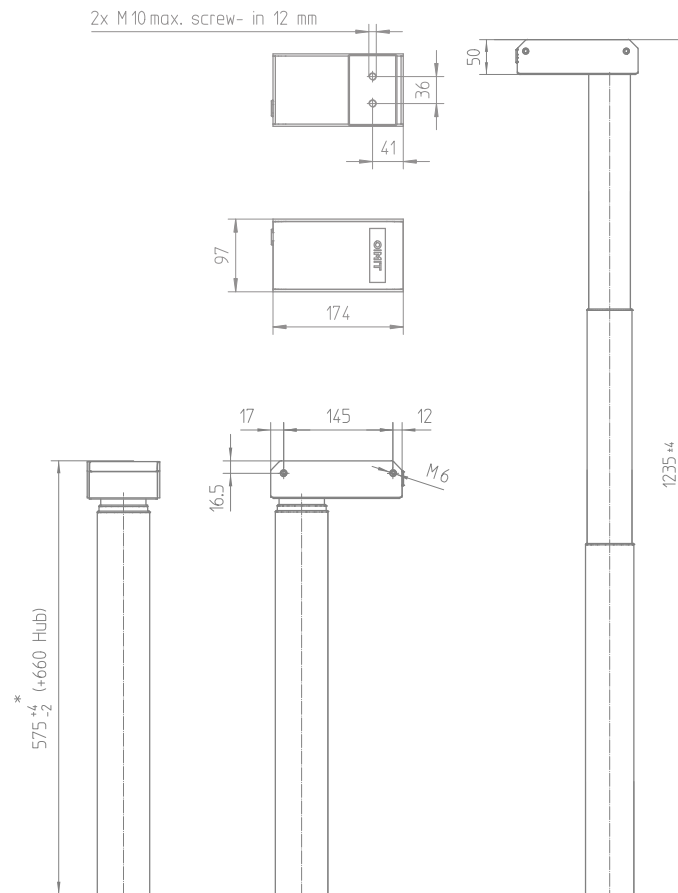
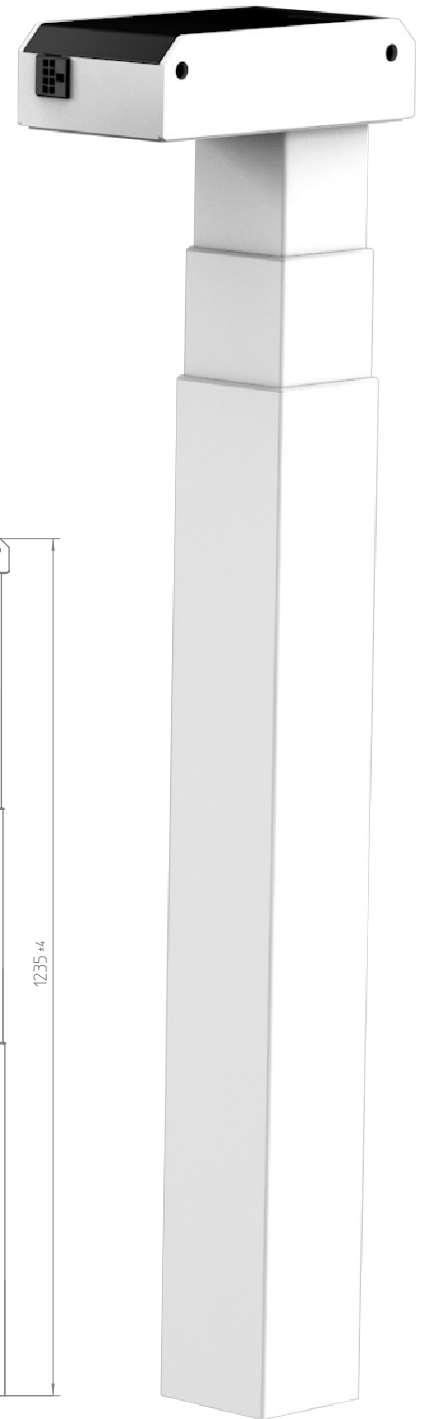
Speed:
50 mm/s unloaded



Load Push:
700 N



Installation length:
555 mm
575 mm



STAND.LEG L3.1 - 50 mm/s

RECTANGULAR

METAL TECHNOLOGY
MADE IN GERMANY

Speed:
50 mm/s unloaded



Dimensions rectangular:

RE 90 / 85 / 80 mm



Stroke:

660 mm



Speed:

50 mm/s unloaded



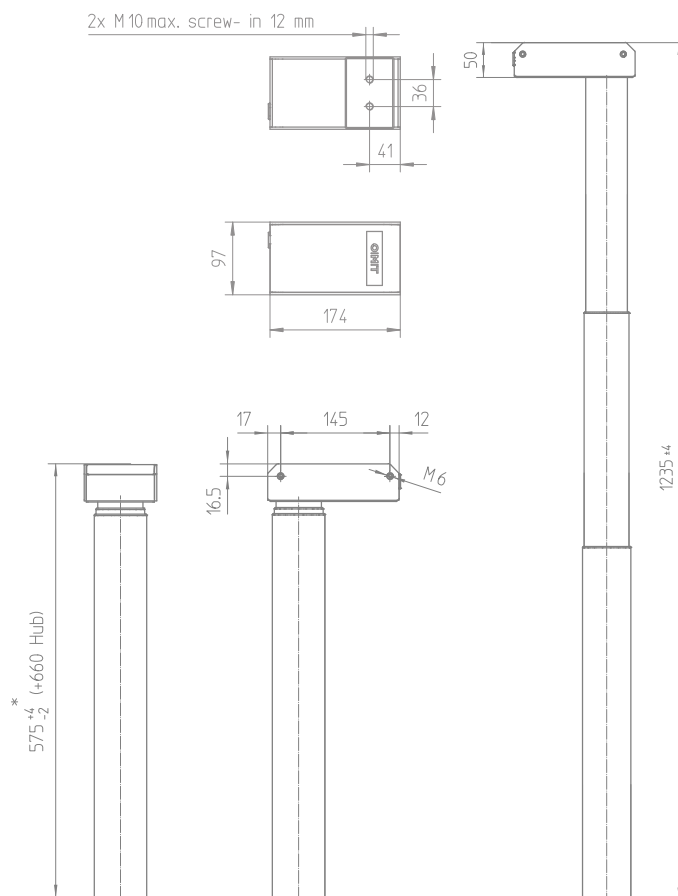
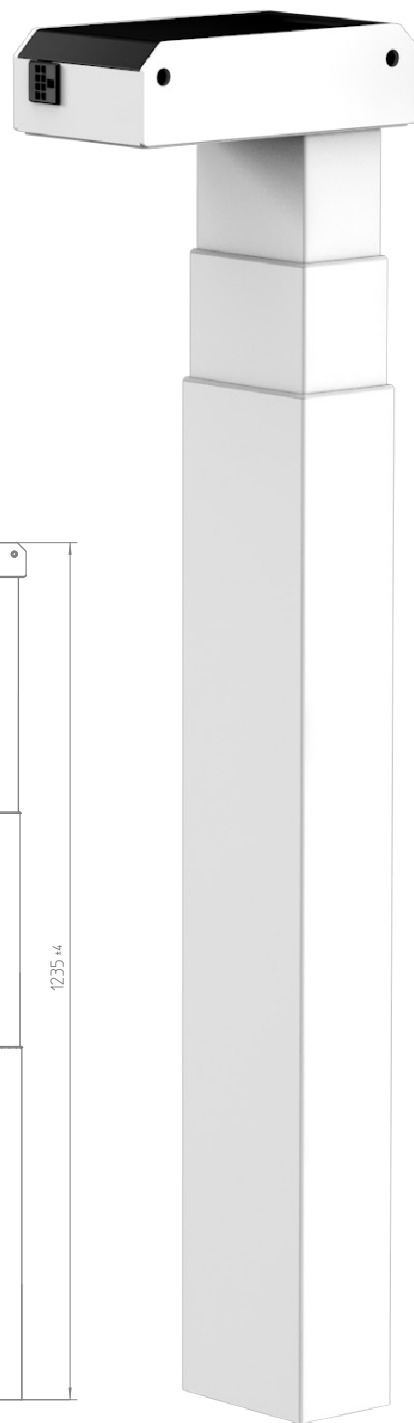
Load Push:

700 N



Installation length:

555 mm
575 mm



O|MIT

Oelschläger Metalltechnik GmbH

Hertzstraße 1-3
27318 Hoya
Germany

Phone: +49 (0) 42 51-816-0
E-Mail: info@oelschlaeger.de

CEO:
Daniela Hoge | Harald Grams

Commercial register:
Amtsgericht Walsrode HRB 31030
UST-IDNr.: DE 183195508

