

# O | M | T

## STAND.MOVE M1.0

Operating element for the STAND.CONTROL C1 + C2

## Contents

Contents .....	2
1 Preface .....	3
2 Explanation of terms and index of abbreviations.....	4
3 Safety.....	5
3.1 Purpose-conformant use of the product .....	5
3.2 Target Group .....	5
3.3 Symbols used in the instructions .....	5
3.4 Safety instructions .....	6
3.4.1 General safety instructions .....	6
3.4.2 Safety instructions für resellers .....	7
3.5 Repairs .....	7
4 Warranty .....	9
5 Overview .....	10
6 Scope of supply .....	11
6.1 Delivery scope .....	11
7 Installation.....	12
7.1 Unpacking.....	12
7.2 Installation.....	12
8 Commissioning .....	14
8.1 Commissioning the controller, general .....	14
8.2 Commissioning the STAND.MOVE M1.0 .....	14
9 Operation .....	15
9.1 Height-adjustment.....	15
9.2 Set and delete shelf and container stop .....	15
10 Disassembly/Maintenance.....	17
10.1 Maintenance .....	17
10.2 Cleaning and care.....	17
11 Easy to rectify faults .....	18
12 Technical data .....	19
13 Tests and certificates.....	21
14 Disposal .....	22
15 Additional Information.....	23
15.1 Copyright .....	23
15.2 Licences.....	23
15.3 Trademarks.....	23
15.4 Address.....	23

## 1 Preface

Dear Customer,

we are pleased that you have decided to purchase our product. These operating instructions explain how to assemble, use and maintain this operating element. All operating elements are put through a function test and quality inspection before they leave our factory. Should you nonetheless have problems with your operating element, you can contact our service department at any time.

The operating element must be installed in accordance with these instructions. Any changes to the desk base or any improper usage can have an effect on the safety, functionality and service life.

These operating instructions have been written for the STAND.MOVE M1.0.

Oelschläger **Metalltechnik** GmbH

## 2 Explanation of terms and index of abbreviations

<b>Abb./Term</b>	<b>Meaning</b>
OMT	Oelschläger <b>Metalltechnik</b> GmbH
Controler	Table controller STAND.CONTROL C1 or C2
Reset position	Lowermost mechanical end position of the table
Minimal position	Lowermost software end position of the table

## 3 Safety

This operating manual is to be preserved for future use. If a new copy nonetheless becomes necessary, it is available, during the expected service life of the described product, from Customer Service of Oelschläger **Metalltechnik** GmbH. Operating manuals of products that are currently being sold can be downloaded from the website of the manufacturer. The manufacturer's operating manual takes precedence and must be followed without fail.

### 3.1 Purpose-conformant use of the product

This operating element – also briefly called the hand switch in the following - has been developed for use on office desks in professional environments. Changes to the handswitch or use in the private sector are not permissible. Contravention will render the warranty null and void and void the liability of the manufacturer.

The handswitch must be assembled, put into operation and functionally checked by skilled personnel.

Special ambient conditions for using the handswitch can be found in chapter 12.

### 3.2 Target Group

These operating instructions are aimed at the following group of persons:

- The commissioning staff who assembles and commissions the sit/stand desks.
- Furniture installers, maintenance staff who commission the sit/stand desk in sales rooms or at the final customer.

Knowledge of the following is a precondition for commissioning and installation of the operating element STAND.MOVE M1.0 in combination with the table controller STAND.CONTROL C1 or C2:



- Mechanical and electrical basic knowledge (a corresponding training)
- Reading the operating instructions

### 3.3 Symbols used in the instructions

<b>Danger</b>	Stands for an immediate, threatening danger. If not warded off, it will result in death or severe injuries.
<b>Warning</b>	Stands for a possibly threatening danger. If it is not avoided, death or very serious injuries may result.
<b>Caution</b>	Stands for a possibly threatening danger. If it is not avoided, light or minor injuries may result.
<b>Note</b>	Designates a possibly harmful situation. If it is not avoided, the plant or something in its surroundings can get damaged.



Warning of a source of danger.

Non-compliance with these warnings can result in harm to health, life-threatening injuries and property damage.



Warning of electrical voltage.

Non-compliance with these warnings can result in injuries and property damage!



Warning of injuries caused by crushing.

Non-compliance with these warnings can result in harm to health, life-threatening injuries and property damage.



Warning of damage from electrostatic discharge (ESD).



Points to important information that must be heeded for safe operation of the described product.



Note on the obligation to read the operating instructions.



Note to pull the power cord before the next action.

## 3.4 Safety instructions

These operating instructions contain safety instructions that inform you about potential hazards and thus facilitate safe operation of the STAND.MOVE M1.0, in combination with the table controller STAND.CONTORL C1 and C2. Please be sure you comply with these safety instructions!

This section provides you with general safety information that does not refer to any specific work step. You can find the job-specific safety instructions in the respective section of the operating instructions.

### 3.4.1 General safety instructions



**Note:** Please read and take note of, without fail, the operating manual before assembly/commissioning of the handswitch STAND.MOVE M1.1.



**Danger:** This unit can be used by children aged 8 years and above and by persons with reduced physical, sensory or mental capabilities or lack of experience and knowledge, if they are supervised or instructed in the safe use of the device and understand the resulting risks.



**Danger:** Children must not be allowed to play with the unit.



**Danger:** Unsupervised children must not carry out cleaning and user maintenance



**Danger:** You must disconnect the power supply cable from the mains supply before switching the hand switch and the controller on or off.



**Caution:** Use only hand switches from Oelschläger **Metalltechnik** GmbH only. The use of hand switches from third parties is prohibited! If unsuitable hand switches are used, damage or destruction of the controller can occur



**Warning:** If there is a fault (for example, unwanted movement of the table top if, for example, a button of the hand switch gets stuck), please immediately unplug the power cord.



**Danger:** Protect the hand switch from moisture, dripping water and spray water!



**Danger:** There is a danger of being crushed when the desktop position is changed. For this reason, make sure there are no objects or persons present in the danger zone and do not reach into the danger zone.



**Attention:** Modifications to the handswitch are strictly prohibited!



**Danger:** The STAND.MOVE M1.0 must not be operated in potentially explosive atmospheres!



**Danger:** In case of a failure, it is possible that the desktop moves a bit during every start-up attempt before the safety shut-down comes into play. Watch out for the possible danger of being crushed.



**Danger:** If the product is visibly damaged, do not assemble it or continue to use it!



**Note:** When unpacking, ensure ESD-compliant handling of the electronic components



**Danger:** Never immerse the hand switch in liquids and keep it away from heated surfaces.

### 3.4.2 Safety instructions für resellers

We consider resellers companies that purchase the STAND.MOVE M1.0 from Oelschläger Metalltechnik GmbH and that resell it as their own product after adding a table surface.



**Note:** For reasons of EU conformity and product safety, we recommend that the users provide their products with operating instructions in the respective official EU language



**Warning:** Be sure to enclose operating instructions in your finished product that include all safety instructions required by the consumer for the safe handling of your product.



**Note:** The operating instructions for your finished product must include the following warning: *You must read these operating instructions before you start using the product.*

Point out to your consumer that the operating instructions must be kept near the product.



**Danger:** It is mandatory that you put your product through a risk analysis so that you can react to any possible residual hazards (e.g. through structural measures or warnings in the operating instructions and/or safety instructions on your product).



**Warning:** Make sure that no unauthorised persons (small children, persons under the influence of medication, etc.) handle your product or the STAND.MOVE M1.0

### 3.5 Repairs



**Attention:** In the interest of preventing mal-functions, only authorised service personnel are permitted to make any repairs.



**Attention:** If the handswitch is opened, there is a risk of subsequent malfunctions.

In case of a technical defect on the STAND.MOVE M1.0, please contact an authorised customer service representative. Section 11 contains solutions for the most common errors.



## 4 Warranty

Oelschläger **Metalltechnik** GmbH provides a warranty for a period of 24 months for the STAND.MOVE M1.0 handswitch. The warranty covers all material and production errors and takes effect from the date of delivery. The warranty is only valid on the condition that the handswitch are assembled and used in an appropriate and technically correct manner within the framework of the parameters described, maintenance is carried out correctly, and repairs are only carried out by authorised service personnel.

STAND.MOVE M1.0 must not be incorrectly handled or used and no changes are permitted to be made to the handswitch; otherwise, the warranty expires. Please see our General Terms and Conditions of Business for more information.

Legal warranty or guarantee obligations remain unaffected by these regulations.

## 5 Overview

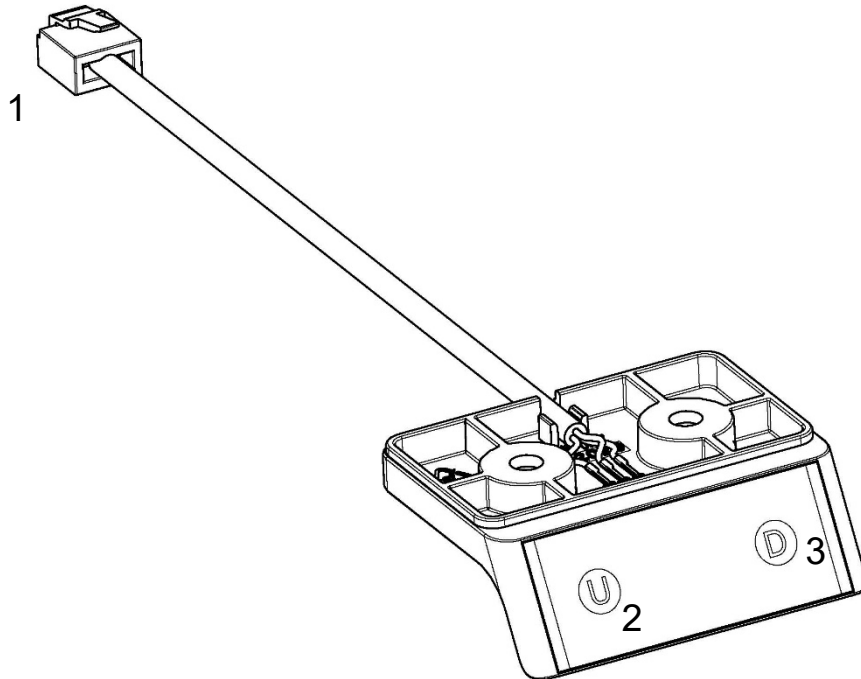


Figure 1: Depiction of the operating element STAND.MOVE M1.0

- 1 RJ45-socket
- 2 Button Up
- 3 Button Down

## 6 Scope of supply



**Note:** The operating element STAND.MOVE M1.0 may only be used with the table controller STAND.CONTROL C1 or C2.

### 6.1 Delivery scope

The delivery scope contains:

- STAND.MOVE M1.0

Other accessories required for operation can be obtained from OMT.

## 7 Installation

### 7.1 Unpacking



**Note:** When unpacking, ensure ESD-compliant handling of the electronic components.

**Caution:** Oelschläger **Metalltechnik** GmbH does not provide any warranty for faults and damage to the device that are the result of electrostatic discharge.

For unpacking electronic devices, please proceed as follows:

1. Remove the packaging material.
2. Check the contents of the package for completeness:
3. Dispose of the packaging material in an environment-friendly manner, in accordance with the applicable national regulations in your country. Recycle reusable packaging.

### 7.2 Installation

Install the table controller STAND.CONTROL C1 or C2 in accordance with the relevant manual. Install the operating element STAND.MOVE M1.0 on the front table edge on the underside of the table-top (see Figure 2).

You will need the following material and tools for the installation:

- Pencil
- Drill
- 2 screws
- Screwdriver in a size suitable for the screws



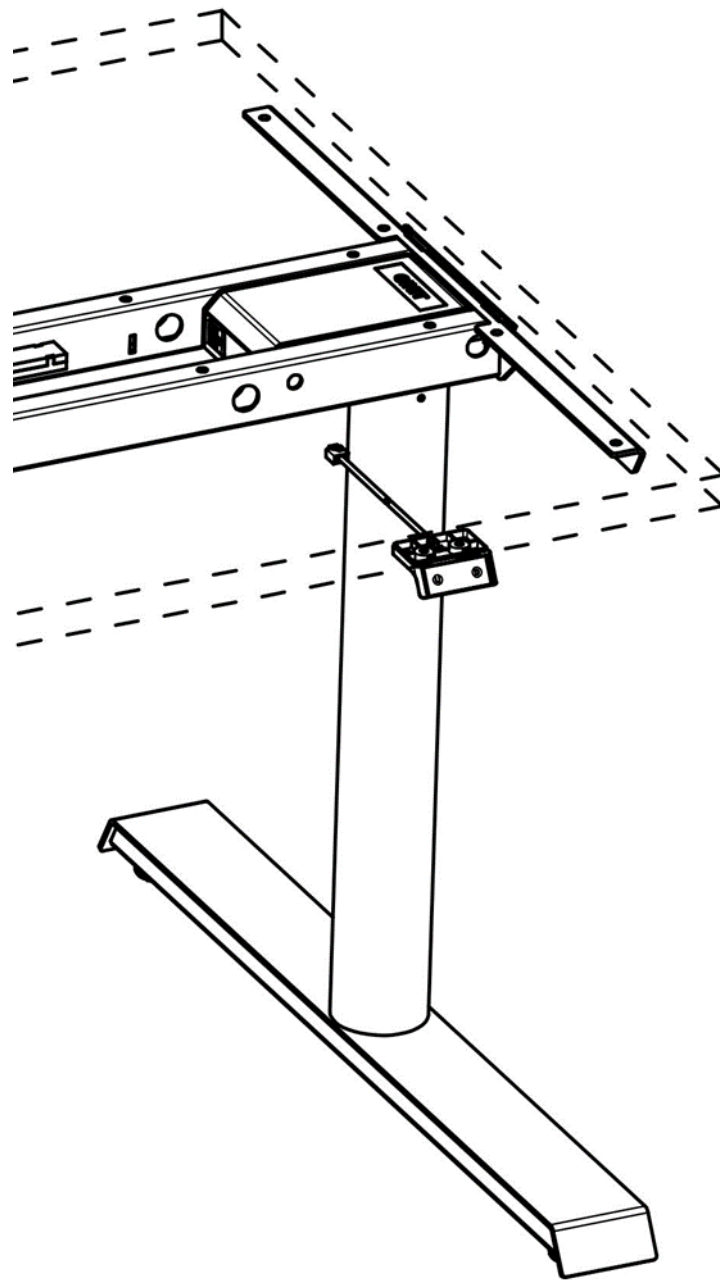
**Note:** Before fitting, the control system and the sensor must be electrically deenergised.



**Note:** The screws are not included in the scope of delivery since they have to be selected depending on the material and the thickness of the desktop.

There are holes with a diameter of 5.2 mm provided for this purpose on the hand switch. Use fillister-head or cheese-head screws.

The tightening torque depends on the desktop material, but should not exceed 2 Nm.



**Figure 2: Position of the hand switch on the table-top (symbolic image)**

For the installation, please carry out the following steps:

1. Position the operating element at the desired place on the table-top.
2. Mark the location of the drill holes with a pencil.
3. If required, pre-drill the marked locations for the screws using a drill.
4. Fasten the STAND.MOVE M1.0 with the two screws.

## 8 Commissioning



**Note:** Before commissioning, the controller and the handswitch must be electrically deenergised.

### 8.1 Commissioning the controller, general

STAND.MOVE M1.0 is employed as an operating element for the STAND.CONTROL C1 or C2 controller. Please follow the operating manual of the corresponding STAND.CONTROL for the commissioning.

### 8.2 Commissioning the STAND.MOVE M1.0

If you are using a STAND.CONTROL C1, connect the hand switch to one of the RJ45 sockets (D1 or D2) on the controller.

When using the STAND.CONTROL C2, connect the hand switch with the corresponding RJ-45 socket of the table controller (HS).

Ensure that when it is inserted, the RJ45 plugs snap into place audibly. Check the firmness of the hold if required by pulling lightly on the cable.

Further details of the connections and expansion options



**Caution:** After commissioning, accessory components may not be separated from the controller during the movement. This can result in unpredictable behaviour of the table and is a danger to the user.



**Note:** It is recommended that the table controller be isolated from the mains supply before every enhancement or replacement of accessories.

## 9 Operation

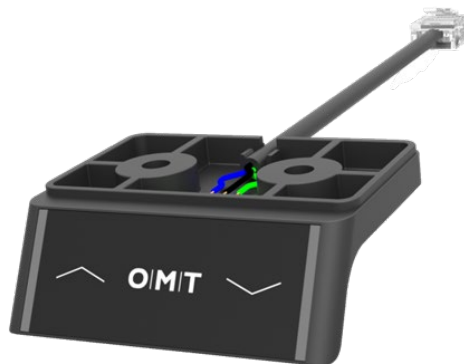


Figure 3: Hand switch STAND.MOVE M1.0

Oelschläger **Metalltechnik** GmbH offers its customers various variants of the STAND.MOVE M1.0. All our hand switch models are available with and without the logo printed on them. The functions described can be used with all variants of the STAND.MOVE M1.0 model.




**Caution:** The upper end position of the desktop is pre-set in the controller. For this reason, only those controllers that have been supplied as being suitable for the respective desk base may be used.


In the operating manuals of the STAND.CONTROL C1 and C2 controllers, you will find a general description of the operation of the simple and well as comfort manual switches in conjunction with the controller.

### 9.1 Height-adjustment



**Note:** When adjusting the height of the table, please ensure that no children or other persons are underneath the table. There is a risk of injury.

Press the -button to lower the desktop. Keep the button pressed until the desktop has reached the desired height. The table stops automatically as soon as the lower end position is reached (container-stop, safety stop or minimal position).

Press the -button to raise the desktop. Keep the button pressed until the desktop has reached the desired height. When the table reaches the upper end position or the pre-set shelf-stop, the movement is ended.

### 9.2 Set and delete shelf and container stop



**Warning:** Only trained personnel should carry out setting and deletion of container and shelf stops. There is a danger of injury from wrong setting or removal of the Stop positions, and a danger of the table getting destroyed.



**Note:** This function is configuration-dependent and is not available with every controller.



**Note:** With the additional stops, the safety of the table system can be increased, in that the possible movement path is restricted.

Container- and shelf stops are safety positions that cannot be run over during normal operation, so that collisions with known, permanently present hindrances can be prevented. The container stop limits the movement height downwards (minimum height) and can be used if there are limiting factors below the table, for example, a Rollcontainer. The shelf stop limits the movement height of the table upward. The shelf stop can be used if there are limiting factors above the table, such as a shelf or the incline of a roof.

Setting the container stop is only possible in the lower half of the movement path of the table and only below the shelf stop.

Setting the shelf stop is only possible in the upper half of the movement path of the table and only above the container stop.

The procedure for setting the respective stop is identical. Proceed as follows:

1. Move the table, using the arrow keys (⏴ and ⏵), to the desired position.
2. Press both the arrow keys (⏴ and ⏵) at the same time.
3. The controller confirms with one “click-clack” sound. (The absence of this signal means that setting is possibly not permitted.)

To delete the container stop, proceed as follows:

1. Keep the arrow key down (⏴) pressed.
2. The table stops automatically upon reaching the container stop.
3. Press both the arrow keys (⏴ and ⏵) at the same time.
4. The controller confirms with a single “click-clack” sound.

Follow a similar procedure for deleting the shelf-stop.

1. Keep the arrow key up (⏶) pressed.
2. Steps 2 to 4 are identical to those for deleting the container stop.

If an attempt is made to set the container stop or shelf stop too close to the middle, the controller signals this with 6 “click-clack” sounds.



## 10 Disassembly/Maintenance

1. Disconnect the controller from the mains.
2. Disconnect all the connections between the controller and the hand switch.
3. Dismantle the hand switch from the table.

### 10.1 Maintenance



**Warning:** Do not open the hand switch. Opening the controller will render all warranties from OMT null and void.



**Danger:** If you find defective cables, immediately isolate the controller from the mains.  
Pull the mains plug.

Check the plug-and-connector joints at the controller regularly for firm fitting. Check all the cables regularly for defects. If you find defective cables, plugs or loose plug-and-connector joints, replace the cables. If that is not possible, or does not bring about any improvement, contact OMT customer service

### 10.2 Cleaning and care



**Warning:** Aggressive cleaning agents can cause damage or discolouration on the product. Therefore, only agents with a pH value of 6-8 may be used.

The Handswitch STAND.MOVE M1.0 can be wiped from the outside with a soft cloth. Coarse soiling may only be removed with a soft, damp cloth. Ensure that no moisture penetrates into the housing.

## 11 Easy to rectify faults



**Warning:** Before troubleshooting, especially on faulty cables, the controller must be isolated from the network.

If a fault cannot be rectified as described, isolate the product from the voltage supply, wait for at least 3 minutes and try again.

If the fault continues to occur, isolate the product from the voltage supply and contact our customer service.

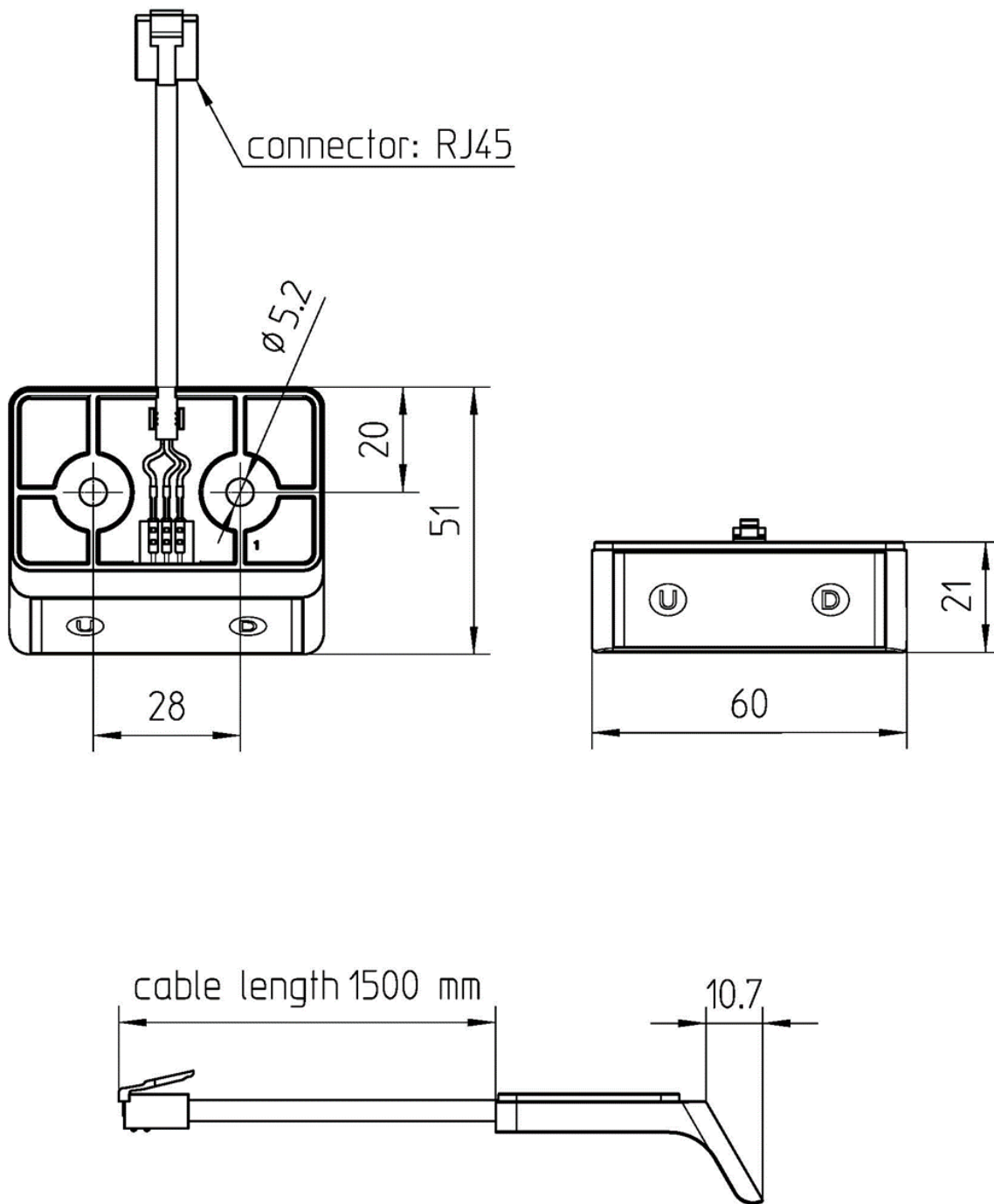
**Table 1: Fault description of the faults that are easy to rectify.**

Fault description	Troubleshooting
Table does not move	Check whether the desk has power.
	Check the connection between the controller and the hand switch. Restore the connections.
	Powering-on duration exceeded. Wait until the table is ready for use again (approx. 3 min.).
	Hand switch faulty: Replace the hand switch or contact customer service.

## 12 Technical data

The technical data of the STAND.MOVE M1.0

dimensions (L x B x H)	60 x 50.86 x 21 mm 2.36 x 1.97 x 0.83"
cable length	Standard length: 1.5 m <i>Special lengths available on request</i>
weight	0.04 kg (with standard cable length)
Environment conditions during transport and storage	-25 °C to +70 °C at 5 % to 90 % relative atmospheric humidity (non-condensing), with +38 °C max. dew point; Temperatures from +55 °C to +70 °C only for maximum 24h
Environment conditions in the factory	+5 °C to +40 °C at 10 % to 85 % relative atmospheric humidity (non-condensing), with +27 °C max. dew point;
IP class (protection class as per EN 60529)	Unassembled: IP 00 Correctly assembled: IP 20
connections	RJ45 plug
Compatibility	STAND.CONTROL C1 STAND.CONTROL C2



## 13 Tests and certificates

The drive system is tested according to the following standards:

### Electromagnetic compatibility (EMV-Directive 2014/30/EU):

EN 61000-6-2:2005	Electromagnetic Compatibility (EMC)
EN 61000-6-3:2007+A1	Electromagnetic Compatibility (EMC)
EN 61000-3-2:2014	Electromagnetic Compatibility (EMC)
EN 61000-3-3:2013	Electromagnetic Compatibility (EMC)

### Electrical safety (low voltage directive 2014/35/EU):

EN 62233:2008	Safety of persons in electromagnetic fields
EN 60335-1:2012+A13	Household and similar electrical appliances Internal and similar uses

### Safety-related parts of controllers:

EN ISO 13849-1:2015	Safety of machinery Safety-related parts of control systems Performance Level "b"
---------------------	---



## 14 Disposal

The FREE.STAND table-top support frame in which the STAND.MOVE 1.1 is fitted is an electrical and electronics device that must be disposed of separately from household waste, in accordance with the applicable WEEE-directive 2012/19/EU.



**Figure 4: Identification markings for products in accordance with WEEE Directive 2012/19/EU**

Dispose of the product and all other materials and parts in an environment-friendly manner, in accordance with the applicable national regulations in your country. Ensure that the disposal is sustainable for humans and nature.

Check for recyclability before disposal. As far as possible, take all the parts for recycling.

## 15 Additional Information

### 15.1 Copyright

© September 2018 by Oelschläger **Metalltechnik** GmbH.

All rights reserved. All information in this operating manual is copyright-protected. No part of this operating manual may be copied or reproduced without the written consent of Oelschläger **Metalltechnik** GmbH. Oelschläger **Metalltechnik** GmbH reserves the right to make changes to the specifications and other information in this operating manual without prior notice.

### 15.2 Licences

After procurement and complete payment of the product, the customer may use the running texts and graphics in chapter 9 for generating the end user documentation for the height-adjustable table, in which the STAND.MOVE M1.0 was integrated, for 10 years from delivery, free of charge. This licence does not include any logo, design or page layout elements of Oelschläger **Metalltechnik** GmbH. The customer may make all the necessary changes to the text and graphics to match them to the purpose of the end-user documentation. The texts and graphics may not be published or sub-licensed, either unchanged or modified, through the digital route. The transfer of this license to third parties without permission from Oelschläger **Metalltechnik** GmbH is also prohibited. The entire right of ownership and copyright to the text and graphics remains with Oelschläger **Metalltechnik** GmbH. The texts and graphics are offered as is, without any warranty or assurances of any kind.

Contact our customer service to get the text and graphics in an editable format.

### 15.3 Trademarks

Documentation can also contain, among other things, the depiction of registered trademarks of goods or services as well as information on copyright or other protected know-how of Oelschläger **Metalltechnik** GmbH or third parties. In all cases, all the rights remain exclusively with the respective holder.

### 15.4 Address

Oelschläger **Metalltechnik** GmbH  
Hertzstraße 1-3  
27318 Hoya – Germany  
Tel.: +49 (0) 4251 – 816 – 0  
Email: [info@oelschlaeger.de](mailto:info@oelschlaeger.de)  
Internet: [www.oelschlaeger.de](http://www.oelschlaeger.de)

Registered office of the company: Hoya (Germany)  
District Court of Walsrode - HRB 31030  
CEO: Daniela Hoge | Harald Grams